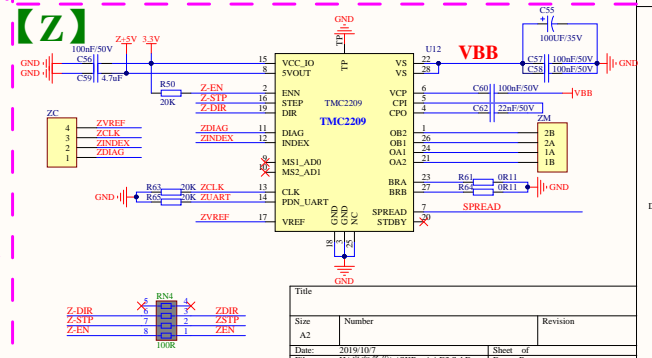
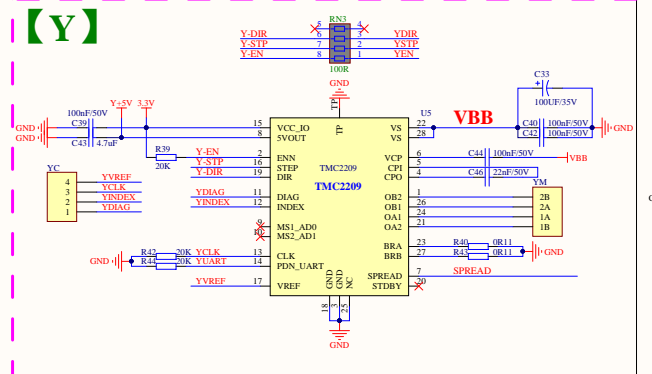
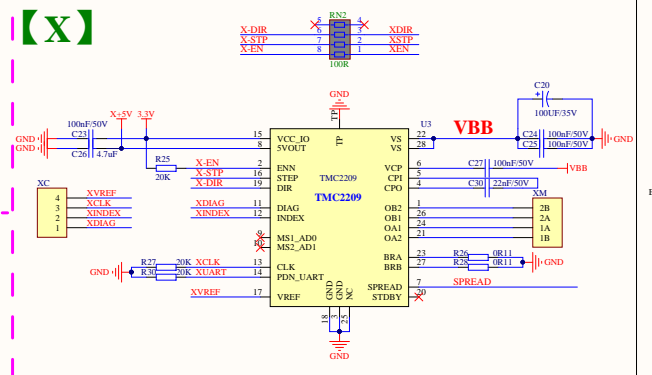
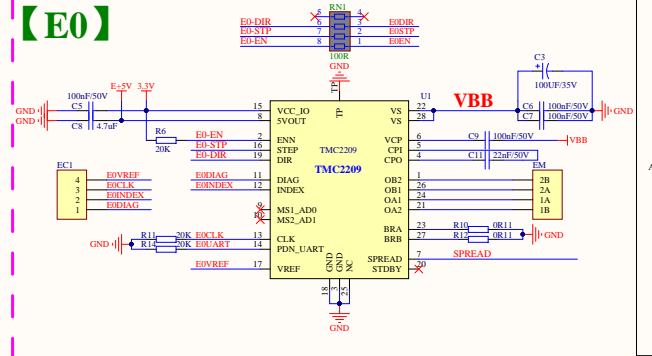


BTT SKR MINI E3V1.2



Title		
Size	Number	Revision
A2		
Date:	2019/10/7	Sheet of
File:	丝印图零件_SKR-mini-E3_SchDoc	Drawn By: